

INDUSTRIAL CIRCULATION TANK HEATER

Zerostart®

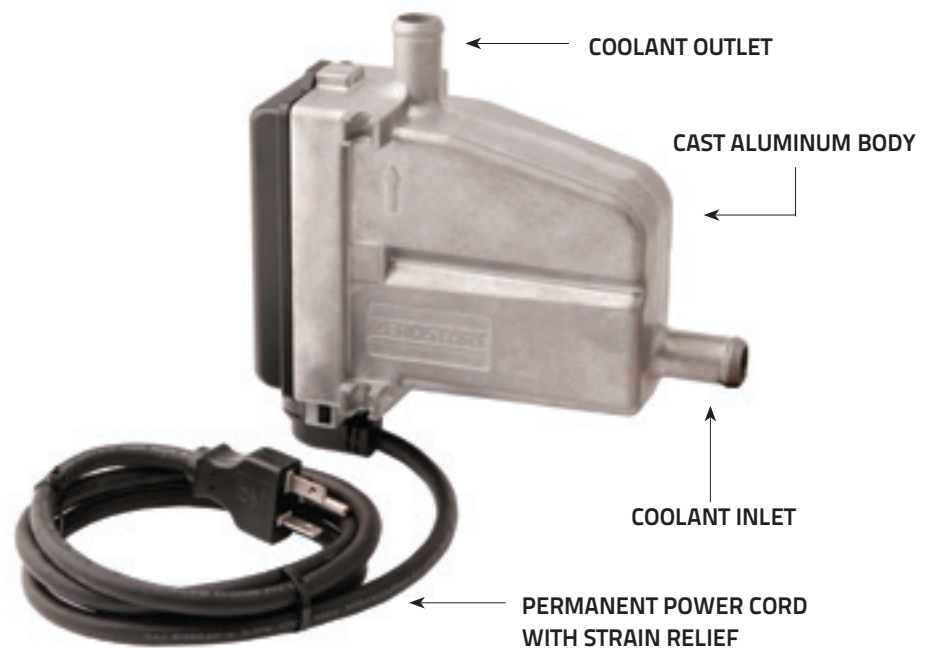
Circulation tank heaters provide dependable pre-heating for engine starts in all temperatures by circulating warmed coolant throughout the engine.

BENEFITS

- Provides engine warming for quick, clean starts
- Reduces time to reach operating speed
- Enhances immediate full-load acceptance
- Corrosion and impact resistance
- Withstands overheat conditions by using a regulating thermostat
- CSA approved & UL listed (Canadian and U.S. standards)

WHERE TO USE

- Diesel & Gas Gensets
- Compressors
- Light Towers



FEATURES

- Rugged die cast, one-piece, aluminum construction
- Low watt, density copper heating element
- Temperature sensing thermostat with automatic reset
- Flame retardant, permanently connected, 5 ft. (1.52M) and 12 ft. (3.65M) power cords
- Available in 120, 240 volts
- Regulating thermostat
 - 60°-80°F (16°-27°C)
 - 80°-100°F (27°-38°C)
 - 100°-120°F (38°-49°C)
- Secondary safety thermostat
- Environmentally friendly materials such as recyclable aluminum, plastic and copper
- 750W-1500W with a 5/8" hose connections and 1500W – 2250W with a 3/4" hose connections

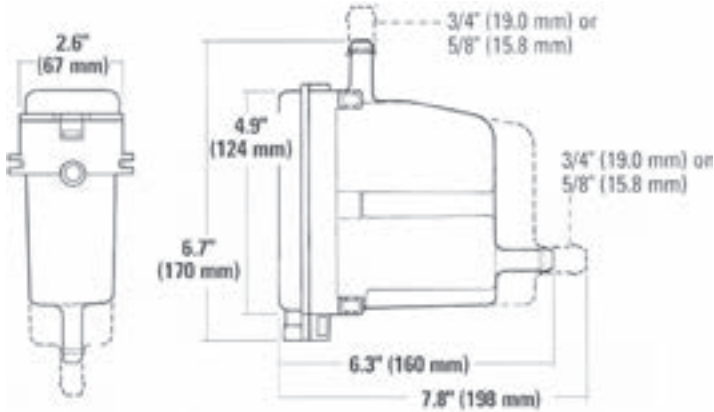
PHILLIPS & TEMRO
industries®

www.phillipsandtemro.com

INDUSTRIAL CIRCULATION TANK HEATER

OVERALL DIMENSIONS

- Designed for easy installation
- Offers bottom and top mounting options, with mounting kits.



PLUG CONFIGURATIONS

PLUG CONFIGURATIONS	(A)	(B)	(C)	(D)
	120 Volt 15 Amp	240 Volt 15 Amp	120 Volt 20 Amp	240 Volt 20 Amp
Standard Plug				

(A) Furnished with standard 120V male plug.

(B) Furnished with standard 240V male plug.

(C) Furnished with high-current 120V male plug.
20 Amp electrical service required.

(D) Plug not attached. High-current 240V detachable male plug is provided. 20 Amp electrical service required.

Part No.	Volts	Watts	Amps	Inlet/Outlet Size			Power Cord Length	Tank Size	Plug
Thermostat On/Off – 60°/80°F (10°/27°C)									
3305028	120	750	6.3	5/8"	-	Yes	5' (1.5m)	Small	A
3305040	120	1000	8.3	5/8"	-	Yes	5' (1.5m)	Small	A
3305052	120	1500	12.5	3/4"	-	Yes	5' (1.5m)	Large	A
Thermostat On/Off – 80°/100°F (27°/38°C)									
3305032	120	750	6.3	5/8"	-	Yes	5' (1.5m)	Small	A
3309040	120	1000	8.3	5/8"	Yes	Yes	5' (1.5m)	Small	A
3305056	120	1500	12.5	3/4"	-	Yes	5' (1.5m)	Large	A
3309043	120	1500	12.5	3/4"	Yes	Yes	5' (1.5m)	Large	C
3309048	240	1000	4.2	5/8"	Yes	Yes	5' (1.5m)	Small	B
3309052	240	1500	6.3	3/4"	Yes	Yes	5' (1.5m)	Large	B
3309055	240	2250	9.4	3/4"	Yes	Yes	5' (1.5m)	Large	B
3309056	240	2250	9.4	3/4"	Yes	Yes	12' (3.6m)	Large	B
Thermostat On/Off – 100°/120°F (38°/49°C)									
3305036	120	750	6.3	5/8"	-	Yes	5' (1.5m)	Small	A
3309041	120	1000	8.3	5/8"	Yes	Yes	12' (3.6m)	Small	A
3309042	120	1000	8.3	5/8"	Yes	Yes	5' (1.5m)	Small	A
3305060	120	1500	12.5	3/4"	-	Yes	5' (1.5m)	Large	A
3309046	120	1500	12.5	3/4"	Yes	Yes	12' (3.6m)	Large	C
3309047	120	1500	12.5	3/4"	Yes	Yes	5' (1.5m)	Large	C
3309049	240	1000	4.2	5/8"	Yes	Yes	5' (1.5m)	Small	B
3309050	240	1000	4.2	5/8"	Yes	Yes	12' (3.6m)	Small	B
3309053	240	1500	6.3	3/4"	Yes	Yes	5' (1.5m)	Large	B
3309054	240	1500	6.3	3/4"	Yes	Yes	12' (3.6m)	Large	B
3309057	240	2250	9.4	3/4"	Yes	Yes	5' (1.5m)	Large	B
3309058	240	2250	9.4	3/4"	Yes	Yes	12' (3.6m)	Large	B