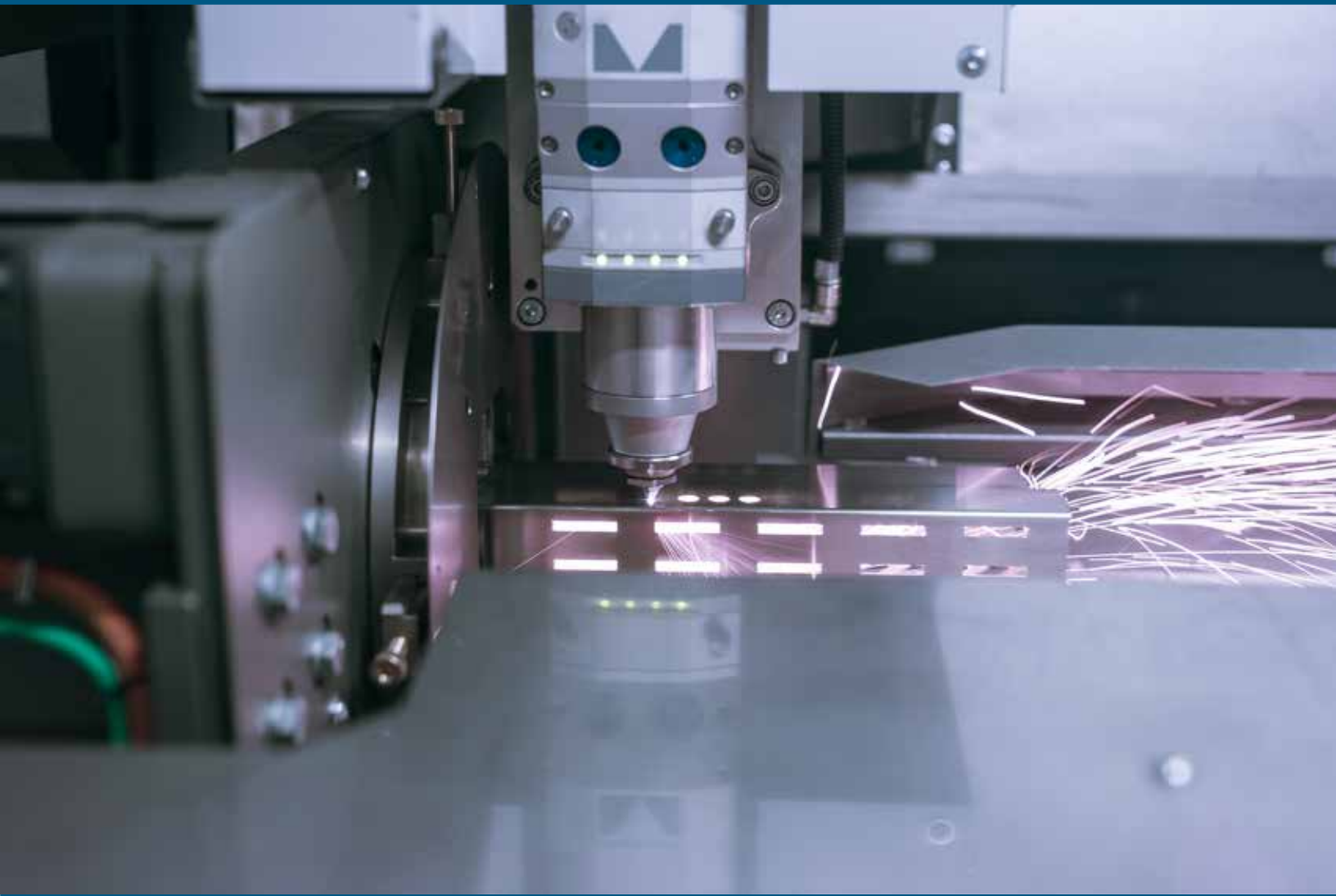


CONTRACT MANUFACTURING

ArcticFox[®]



WHAT WE OFFER

- Engineering - Prototypes & Product Development with 3D rendering
- Production Manufacturing with Extensive Tooling Library & Value Added Finishing
- Quality Systems & Testing
- Packaging – Bulk or Line Feed

Since 1987, Arctic Fox contract manufacturing has built a strong reputation providing contract manufacturing for original equipment manufacturers for 30+ years. We pride ourselves on providing high quality engineering solutions and manufacturing capabilities for multiple industries. We can manufacture components or complete products. ISO 9001 registered since 1997.

Capabilities

Type

- Aluminum
 - Stainless Steel
 - Carbon Steel Alloys
 - Copper
 - Brass
 - Tube and Solid Bar
-

CNC Bending & Custom Laser Tube Cutting

- Round
 - Square
 - Rectangle
 - Specialty Shapes
-

End Forming – Rotary & Ram

- Beading
- Swaging
- Flaring
- Coping – Angle and Curves

End Forming Tool Library Includes:

Type 1 - Flared End

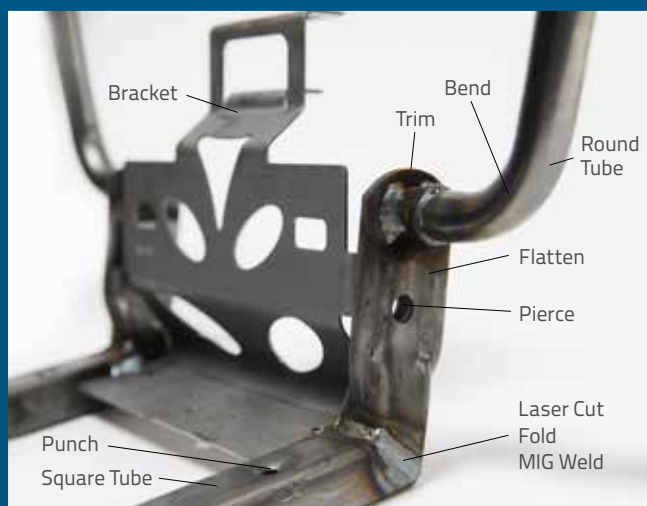
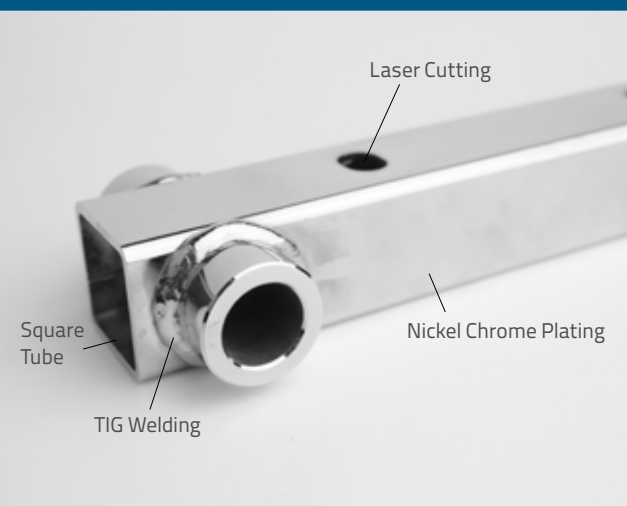
Type 2 - Single Bead 1/2"

Type 3 - Flared End & Bead 1"

Type 4 - Double Bead

Press Work

- Forming
- Stamping
- Coining
- Embossing
- Flattening
- Piercing
- Trimming



Conventional Machining

- Threading
- Hole – Drilling, Punching & Piercing
- Milling, Turning
- Flow Drilling

Welding

- Robotic MIG & TIG
- Rotary Brazing
- Torch Brazing
- Manual Welding Stations
- Certified Welders

Quality & Finishing

- Pressure Testing
- Vacuum Testing
- Painting
- Polishing
- Plating – Nickle Chrome or Zinc
- Etching
- Part Numbering – Laser Etching, Pin Stamping or Adhesive Labels
- In-Line Sanding

Packaging

- Barcoding
- Bulk or Line Feed





MACHINE OPTIONS

- CNC Tube Bending
- Tube Laser
- Forming & End Forming
- Testing – Pressure, Vacuum
- Welding – MIG, TIG, Robotic

VALUE ADDED OPERATIONS

- Milling
- Turning
- Boring
- Facing
- Drilling & Tapping
- Flatten, Trim & Pierce



PHILLIPS & TEMRO
industries[®]

9700 West 74th Street, Eden Prairie, MN 55344

www.phillipsandtemro.com

#LIT0110A ©2017 PHILLIPS & TEMRO INDUSTRIES