

# CIRCULATION TANK HEATER

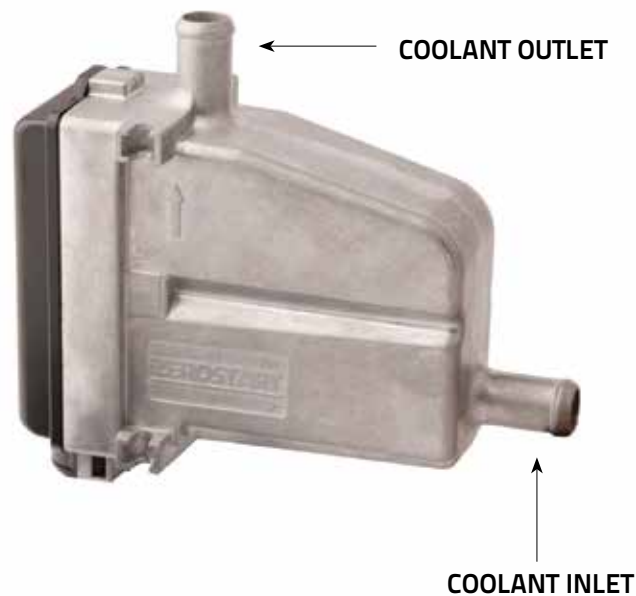
Circulation tank heaters provide dependable pre-heating for engine starts in all temperatures by circulating warmed coolant throughout the engine.

## BENEFITS

- Provides engine warming for quick, clean starts
  - Reduces time to reach operating temperature
  - Enhances immediate full-load acceptance
  - Durable aluminum housing is corrosion and impact resistant
  - Controls temperature by using a regulating thermostat
  - UL Listed, UL Recognized, CSA, and CE Certified
- \*UL Recognized (models without plugs) for OEM use only
- \*CSA models with plugs only

## WHERE TO USE

- Diesel & Gas Gensets
- Compressors
- Agriculture



## FEATURES

- Rugged die cast, one-piece, aluminum construction
  - Regulating thermostat with automatic reset
  - Safety overheat thermostat with automatic reset
  - 5 ft. (1.52m) or 12 ft. (3.65m) power cords available
  - Available in 120, 230, 240 volt versions
- **Thermostat Ranges:**
    - 60°-80°F (16°-27°C)
    - 80°-100°F (27°-38°C)
    - 100°-120°F (38°-49°C)
  - 750W-1500W using 5/8" (16mm) hose connections and 1500W – 2250W using 3/4" (19mm) hose connections
  - Available with or without electrical plugs

Toll Free: 800-328-6108





Email: sales@phillipsandtemro.com

www.phillipsandtemro.com

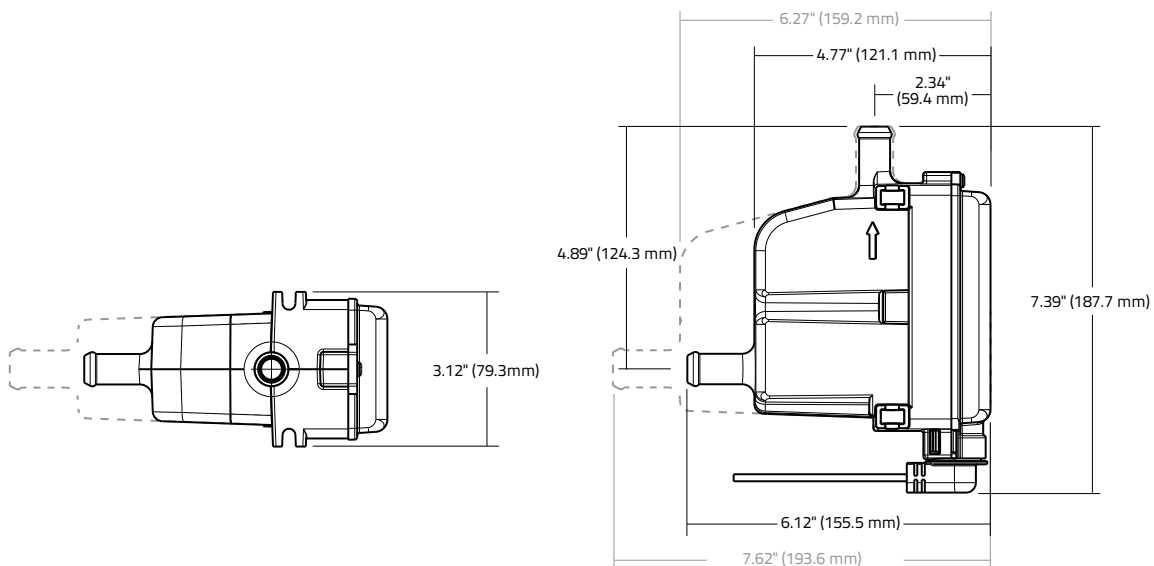
**PHILLIPS & TEMRO**  
industries®

# CIRCULATION TANK HEATER

## PLUG CONFIGURATIONS

| PLUG TYPE                 | NEMA 5-15P  | NEMA 6-15P  | NEMA 5-20P   | CEE 7/7   |
|---------------------------|---|---|--|---|
|                           | 125 Volt<br>15 Amp  | 240 Volt<br>15 Amp  | 120 Volt<br>20 Amp   | 230 Volt<br>16 Amp  |
| <b>Standard Male Plug</b> |  |  |  |  |

## HEATER DIMENSIONS



## TYPICAL MOUNTING BRACKET INSTALLATION AND DIMENSIONS (4 POSSIBLE ORIENTATIONS)

