

THERMOSTART

The ThermoStart is an electric thermosiphon coolant preheater.

BENEFITS

- Compact and easy to install – vertical mounting
- Ensures a full power start
- Reduces engine wear
- Lower pollution
- Reduced fuel consumption

APPLICATIONS

- Medium to large gensets
- Trucks and other vehicles



SPECIFICATIONS

Heating Unit

- Aluminum housing
- PA66 electrical covers and support base
- Available with 4.9 ft (150 cm) power cable
- Heating element made of Incoloy 800

Available Power

- 0.5 to 4 kW
- 120, 208, 230, 240, 400 V
- 50 or 60 Hz

Regulating Thermostat

- Adjustable 32-176°F (0-80°C)

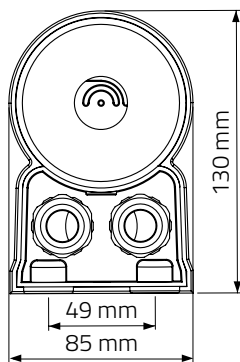
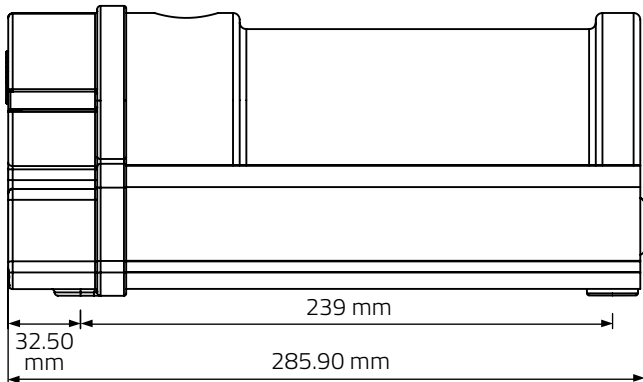
Safety Thermostat

- 230°F (110°C) Safety thermostat with manual reset rated at 25A

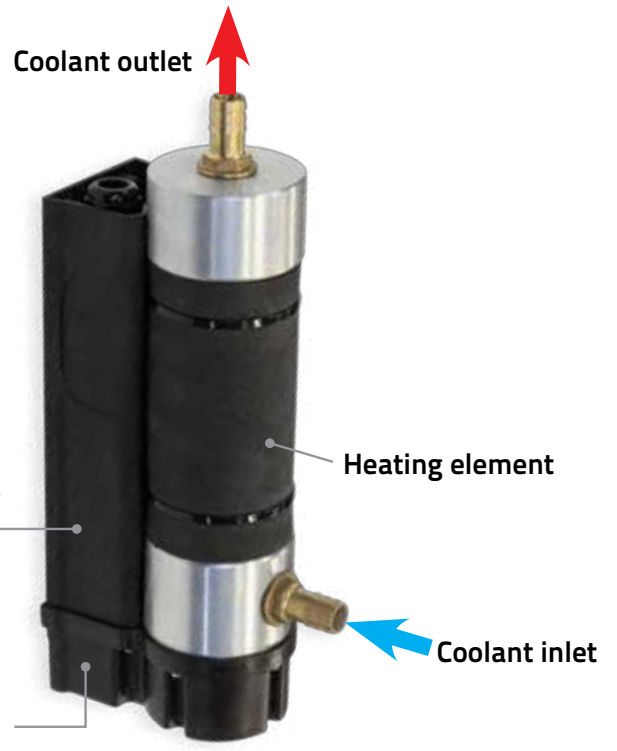
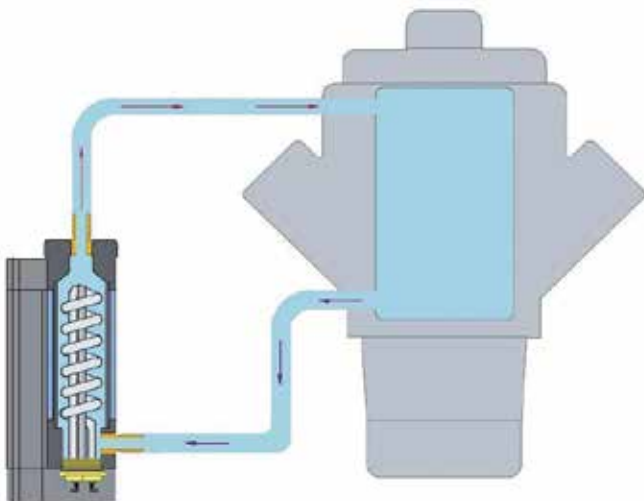
PHILLIPS & TEMRO
industries[®]

phillipsandtemro.com

THERMOSTART



INSTALLATION DIAGRAM



3/4" NPT or BSP

DELIVERED WITH MOUNTING KIT



Rue du Roua 70
4141 Sprimont, Belgium
Phone number: +32 4 384 01 97
saleseu@phillipsandtemro.com

LIT0170P 0319 ©2019 Phillips & Temro Industries

PHILLIPS & TEMRO
industries[®]

phillipsandtemro.com

THERMOSTART

PARTS LIST: UL LISTED

Part Number	Hertz	Volts	Phase	Watts	Regulating Thermostat	Safety Thermostat	Plug Type	Certifications
3301125	50-60	120	1	2000	32-176°F (0-80°C)	230°F (110°C)	NEMA L5-30	UL
3301131	50-60	208	1	3000	32-176°F (0-80°C)	230°F (110°C)	NEMA 6-20	UL
3301132	50-60	208	1	3270	32-176°F (0-80°C)	230°F (110°C)	NEMA L6-30	UL
3301138	50-60	240	1	3270	32-176°F (0-80°C)	230°F (110°C)	NEMA 6-20	UL
3301139	50-60	240	1	4360	32-176°F (0-80°C)	230°F (110°C)	NEMA L6-30	UL

THERMOSTART

PARTS LIST: CE CERTIFIED

Part Number	Hertz	Volts	Phase	Watts	Regulating Thermostat	Safety Thermostat	Plug Type	Certifications
THS 1201 500	50-60	120	1	500	0-80°C (32-176°F)	None	CEE 7/7	CE
THS 12011000	50-60	120	1	1000	0-80°C (32-176°F)	None	CEE 7/7	CE
THS 12011350	50-60	120	1	1350	0-80°C (32-176°F)	None	CEE 7/7	CE
THS 12011500	50-60	120	1	1500	0-80°C (32-176°F)	None	CEE 7/7	CE
THS 12012000	50-60	120	1	2000	0-80°C (32-176°F)	None	CEE 7/7	CE
THS 2301 500	50-60	230	1	500	0-80°C (32-176°F)	None	CEE 7/7	CE
THS 23011000	50-60	230	1	1000	0-80°C (32-176°F)	None	CEE 7/7	CE
THS 23011500	50-60	230	1	1500	0-80°C (32-176°F)	None	CEE 7/7	CE
THS 23012000	50-60	230	1	2000	0-80°C (32-176°F)	None	CEE 7/7	CE
THS 23012500	50-60	230	1	2500	0-80°C (32-176°F)	None	CEE 7/7	CE
THS 23013000	50-60	230	1	3000	0-80°C (32-176°F)	None	CEE 7/7	CE
THS 23014000	50-60	230	1	4000	0-80°C (32-176°F)	None	Hard wire	CE

THERMOSTART

PARTS LIST: CE CERTIFIED

Part Number	Hertz	Volts	Phase	Watts	Regulating Thermostat	Safety Thermostat	Plug Type	Certifications
THS 1201 500 M	50-60	120	1	500	0-80°C (32-176°F)	110°C (230°F) with manual reset	CEE 7/7	CE
THS 12011000 M	50-60	120	1	1000	0-80°C (32-176°F)	110°C (230°F) with manual reset	CEE 7/7	CE
THS 12011350 M	50-60	120	1	1350	0-80°C (32-176°F)	110°C (230°F) with manual reset	CEE 7/7	CE
THS 12011500 M	50-60	120	1	1500	0-80°C (32-176°F)	110°C (230°F) with manual reset	CEE 7/7	CE
THS 12012000 M	50-60	120	1	2000	0-80°C (32-176°F)	110°C (230°F) with manual reset	CEE 7/7	CE
THS 2301 500 M	50-60	230	1	500	0-80°C (32-176°F)	110°C (230°F) with manual reset	CEE 7/7	CE
THS 23011000 M	50-60	230	1	1000	0-80°C (32-176°F)	110°C (230°F) with manual reset	CEE 7/7	CE
THS 23011500 M	50-60	230	1	1500	0-80°C (32-176°F)	110°C (230°F) with manual reset	CEE 7/7	CE
THS 23012000 M	50-60	230	1	2000	0-80°C (32-176°F)	110°C (230°F) with manual reset	CEE 7/7	CE
THS 23012500 M	50-60	230	1	2500	0-80°C (32-176°F)	110°C (230°F) with manual reset	CEE 7/7	CE
THS 23013000 M	50-60	230	1	3000	0-80°C (32-176°F)	110°C (230°F) with manual reset	CEE 7/7	CE
THS 23014000 M	50-60	230	1	4000	0-80°C (32-176°F)	110°C (230°F) with manual reset	Hard wire	CE