

SERIES 8000 CIRCULATION TANK HEATER

Zerostart[®]

The Series 8000 circulation tank heaters provide dependable engine starts in all temperatures by circulating warmed coolant through the engine.

BENEFITS

- Provides a quick start
- Assures fast defrost
- Decreases engine emissions associated with cold starts
- Provides overheat protection
- Convenient, easy installation for new or retrofit applications
- Provides damage protection from debris with top-side, detachable power cord
- Corrosion and impact resistance
- Flexible, supports extensive range of plumbing configurations

WHERE TO USE

- Agriculture
- Construction
- Off Road



FEATURES

- Die cast aluminum construction
- Copper heating element
- Replacement power cords available in 18" (46 cm) or 60" (152 cm) lengths
- Temperature sensing thermostat 147-185°F (61-85°C)
- Universal mounting kit included

OVERHEAT THERMOSTAT

- Withstands overheat conditions without damaging heater or creating hazards
- De-energizes heater in overheat condition to protect components
- Measures temperature at heating element for quick response
- Tested for 100,000 cycles

PHILLIPS & TEMRO
industries[®]

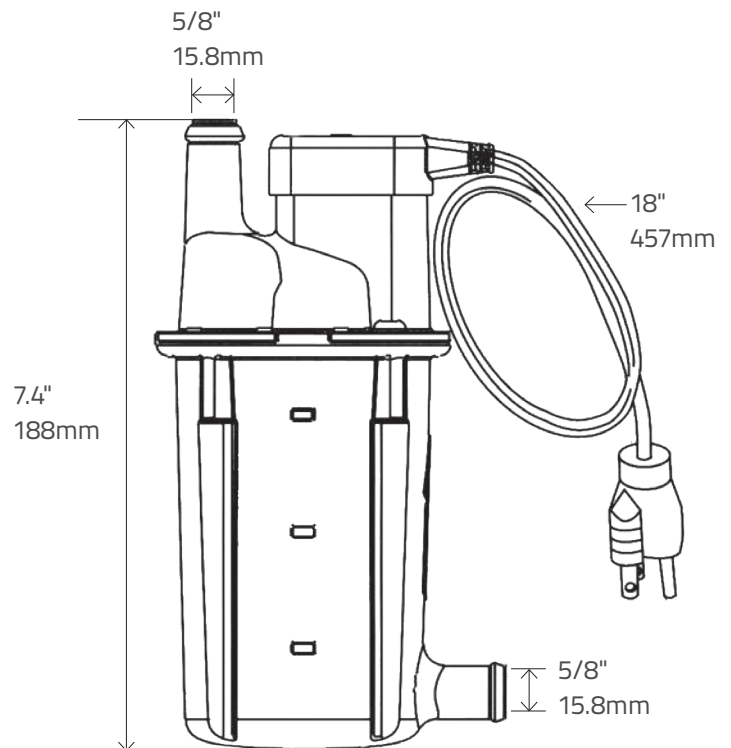
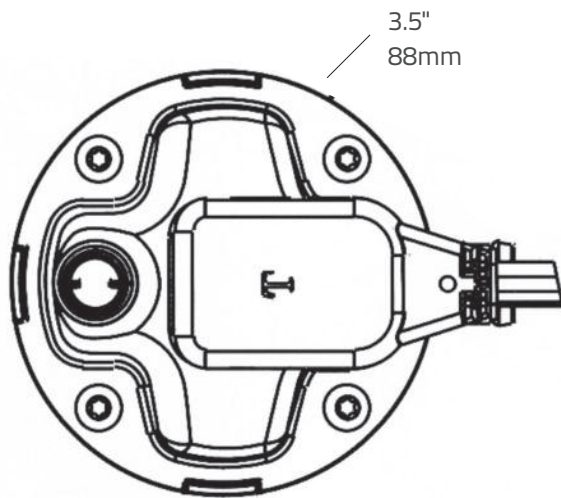
phillipsandtemro.com

SERIES 8000 CIRCULATION TANK HEATER



Part No.	Watts	Volts	Amps	Plug Type	Inlet/Outlet Size	Replacement Cord 18"	Replacement Cord 60"	Certifications
3308001	750	120	6.3	NEMA 5-15	5/8"	3309001	3309002	CSA
3308002	1000	120	8.3	NEMA 5-15	5/8"	3309001	3309002	CSA
3308003	1000	120	12.5	NEMA 5-15	5/8"	3309001	3309002	CSA

PRODUCT DIMENSIONS



PLUG TYPE: NEMA 5-15

