

# THERMOGEN

A passive heating system based on natural convection that circulates coolant without a mechanical pump. Thermosiphon heaters are installed at the lowest point in a system, warm the coolant, and thermal convection circulates the coolant within the system.

## BENEFITS

- Engine starts at full load
- Reduction of fuel consumption
- Reduces engine wear & stress on hoses & fittings
- Lower emissions during startup

## APPLICATIONS

- Diesel Gensets
- Gas Gensets
- Industrial Engine Applications



## WHAT IS THE BEST HEATER FOR YOUR APPLICATION?

Select the appropriate circulation heater based on the total wattage needed for your application.

Wattage based on:

- Engine Size (L)
- Minimum Ambient Temperature
- Coolant Temperature Rise
- Warm Up Time

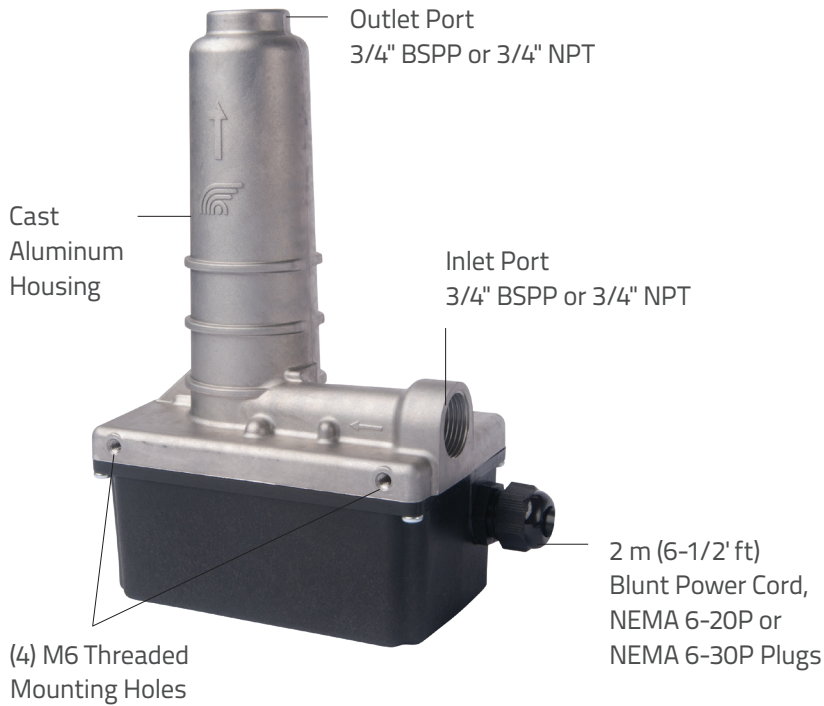
## FEATURES

- Regulating Thermostat 35-50°C (95-122°F)  
32-40°C (89-104°F)
- Safety thermostat 110°C (230°F), for overheat protection
- Cast aluminum housing
- 3/4" BSPP or 3/4" NPT threaded fluid connectors
- Compact design
- 2 m (6-1/2' ft) power cord
- Integrated mounting holes

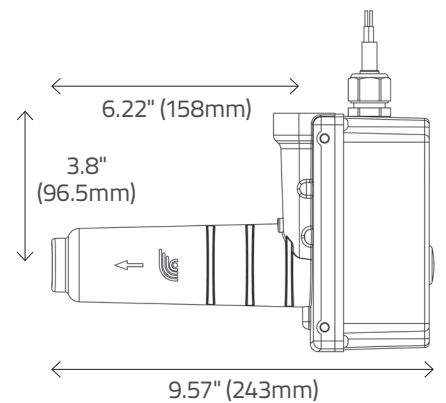
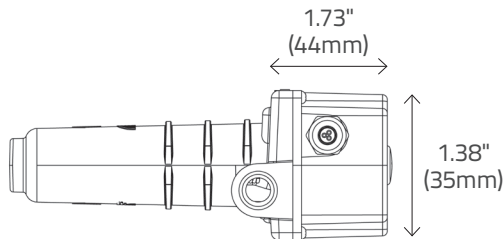
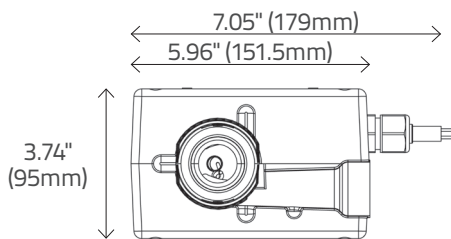
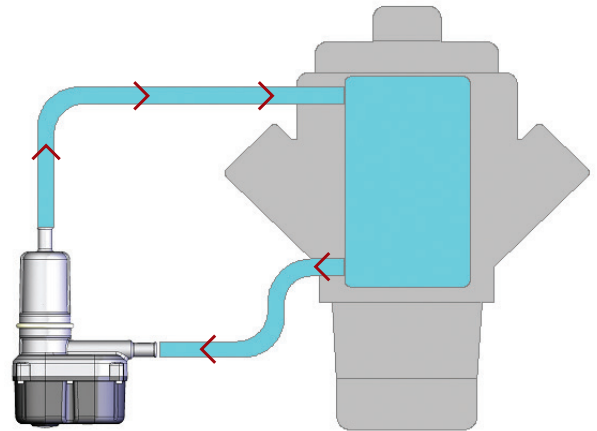
**PHILLIPS & TEMRO**  
*industries*<sup>®</sup>

[phillipsandtemro.com](http://phillipsandtemro.com)

# THERMOGEN



## INSTALLATION DIAGRAM



PTI Part Number	Hertz	Volts	Phase	Watts	Regulating Thermostat	Safety Thermostat	Cord Length	Plug Type	Threads	Certifications
THG23013000 32-40 M	50/60	230	1	3000	32-40°C	110°C	2m	Blunt 3-Wire	3/4" BSPP	CE
THG23013000 35-50 M	50/60	230	1	3000	35-50°C	110°C	2m	Blunt 3-Wire	3/4" BSPP	CE
THG23014000 32-40 M	50/60	230	1	4000	32-40°C	110°C	2m	Blunt 3-Wire	3/4" BSPP	CE
THG23014000 35-50 M	50/60	230	1	4000	35-50°C	110°C	2m	Blunt 3-Wire	3/4" BSPP	CE
3301077	50/60	240	1	3250	89-104°F	110°C	6 1/2 ft	NEMA 6-20P	3/4" NPT	UL
3301075	50/60	240	1	3250	95-122°F	110°C	6 1/2 ft	NEMA 6-20P	3/4" NPT	UL
3310102	50/60	240	1	3250	89-104°F	110°C	6 1/2 ft	Blunt 3-Wire	3/4" NPT	UR
3310100	50/60	240	1	3250	95-122°F	110°C	6 1/2 ft	Blunt 3-Wire	3/4" NPT	UR
3301078	50/60	240	1	4350	89-104°F	110°C	6 1/2 ft	NEMA 6-30P	3/4" NPT	UL
3301076	50/60	240	1	4350	95-122°F	110°C	6 1/2 ft	NEMA 6-30P	3/4" NPT	UL
3310103	50/60	240	1	4350	89-104°F	110°C	6 1/2 ft	Blunt 3-Wire	3/4" NPT	UR
3310101	50/60	240	1	4350	95-122°F	110°C	6 1/2 ft	Blunt 3-Wire	3/4" NPT	UR