



TopStart 0.5-4 kW

OVERVIEW

FEATURES

- Die cast aluminum body
- PA66 electrical cover and supports base
- Glandless circulation pump
- Flow rate: 1.6 to 2m³/h to 3m height manometer (7 to 8.8 gpm at 4.7 PSI)
- Available power 0.5 to 4 kw *120, 208, 230 & 240V* 50 or 60 Hz
- 1 & 3 phase
- Adjustable, regulating thermostat 32-176°F (0-80°C)
- Safety thermostat 230°F (110°C), manual reset rated at 25A
- 4.9' (150cm) power cable
- Mounting & connection (3/4" NPT or BSP) kit included

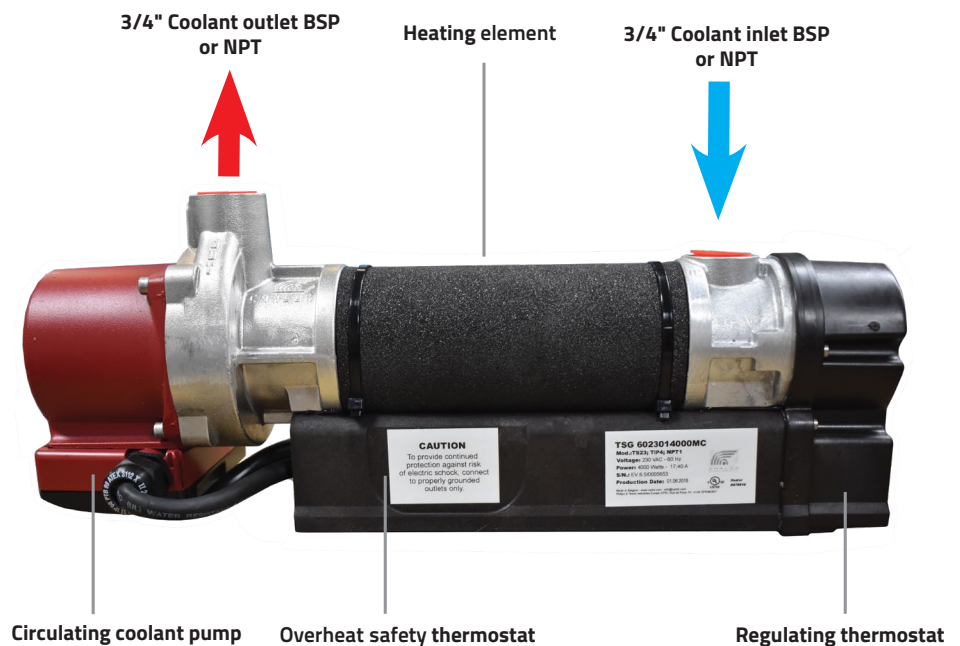
BENEFITS

- Even distribution of heat to eliminate cold spots
- Reduces time to reach operating temperatures and full load acceptance
- Reduces engine wear
- Integrated pump and heater body

APPLICATIONS

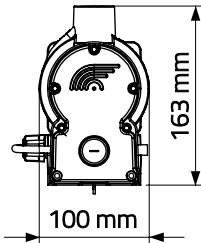
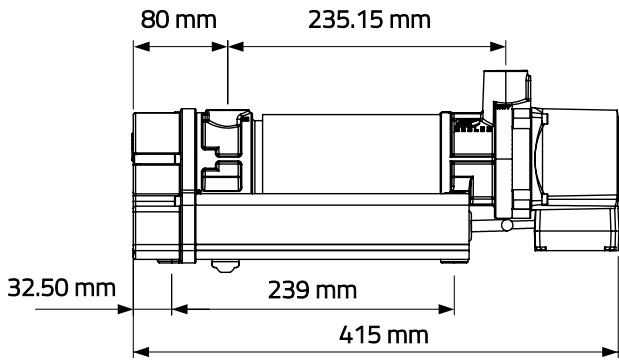
- Gensets
- Large equipment

The TopStart is an electric coolant engine heater with an integrated pump for midsize engines.



TopStart 0.5-4 kW

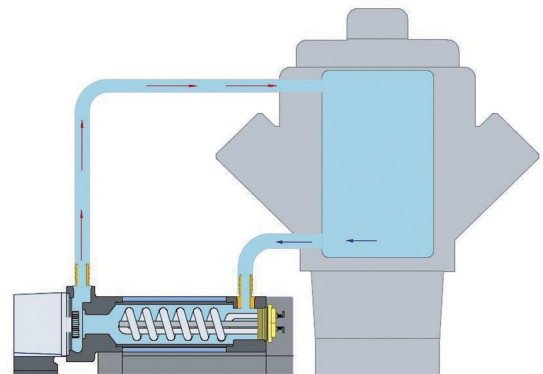
DELIVERED WITH CONNECTION AND MOUNTING KIT



MOUNTING KIT



INSTALLATION DIAGRAM



Part No.	Old Part No.	Hertz	Volts	Phase	Watts	Regulating Thermostat	Safety Thermostat	Control Box	Plug Type	Certifications
TSG120120MTS13	3301004	60	120	1	2000	32-176°F (0-80°C)	230°F (110°C) w/manual reset	No	NEMA L5-30	UL/CE
TSG208120MTS21	3301008	60	208	1	2000	32-176°F (0-80°C)	230°F (110°C) w/manual reset	No	NEMA 6-15	UL/CE
TSG208130MTS22	3301010	60	208	1	3000	32-176°F (0-80°C)	230°F (110°C) w/manual reset	No	D - NEMA 6-20	UL/CE
TSG208130MCTS22	3301110	60	208	1	3000	32-176°F (0-80°C)	230°F (110°C) w/manual reset	No	D - NEMA 6-20	UL/CE
TSG230125MTS21	3301019	60	240	1	2720	32-176°F (0-80°C)	230°F (110°C) w/manual reset	No	B - NEMA 6-15	UL/CE
TSG230130MTS22	3301020	60	240	1	3270	32-176°F (0-80°C)	230°F (110°C) w/manual reset	No	D - NEMA 6-20	UL/CE
TSG480140MCBT4CB	3301046	60	480	1	4000	32-176°F (0-80°C)	230°F (110°C) w/manual reset	Yes	Blunt Wire	UL/CE
TSG480340MCBT4CB	3301050	60	480	3	4000	32-176°F (0-80°C)	230°F (110°C) w/manual reset	Yes	Blunt Wire	UL/CE
TSG400340MCBT4CB		50	400	3	4000	32-176°F (0-80°C)	230°F (110°C) w/manual reset	Yes	Blunt Wire	UL/CE